

PART NAME

UTILIBOX (STYLE A)

PART No.

CU-3285 TO CU-3285-MB  
 CUR-3285 TO CUR-3285-MB  
 CUR-3285-C TO CUR-3285-CMB

MATERIAL:

BODY AND STANDARD COVERS

ABS THERMOPLASTIC (FLAMMABILITY RATING UL94-5VA)

RECESSED COVERS (CUR-)

ABS THERMOPLASTIC (FLAMMABILITY RATING UL94-5VA)

CLEAR COVERS (-C)

ABS THERMOPLASTIC (FLAMMABILITY RATING UL94V-2)

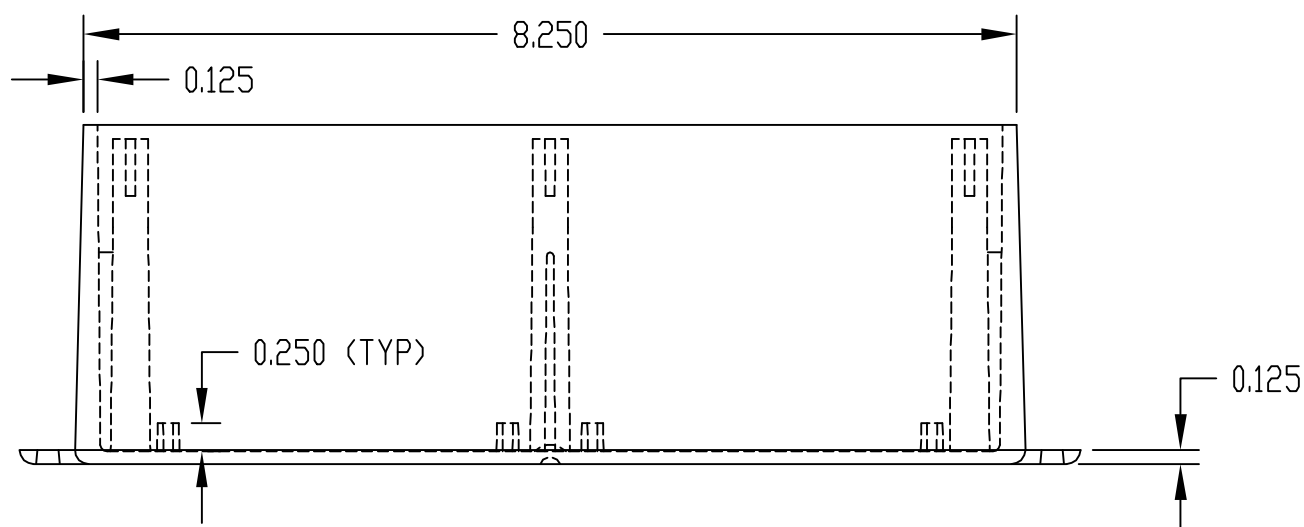
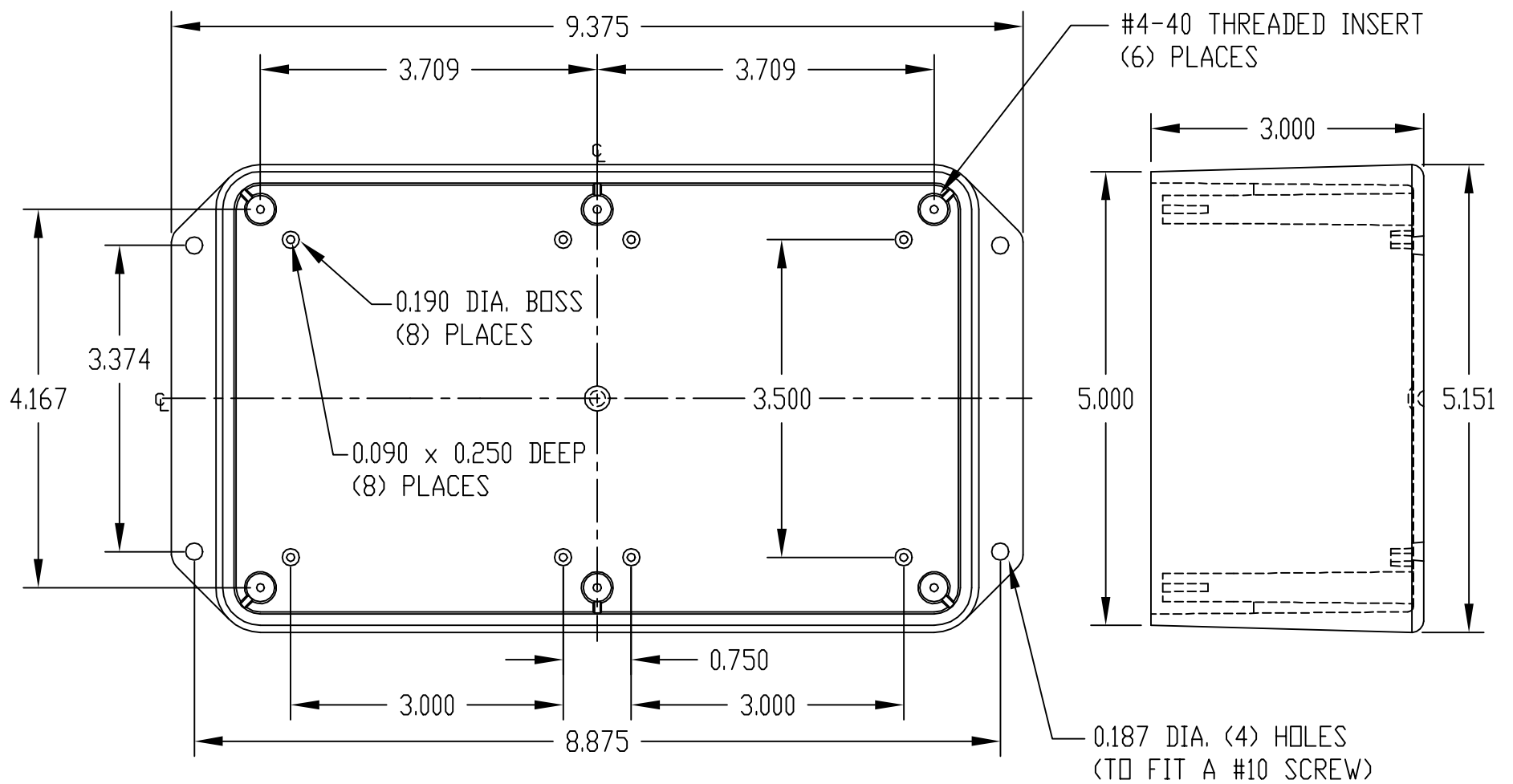
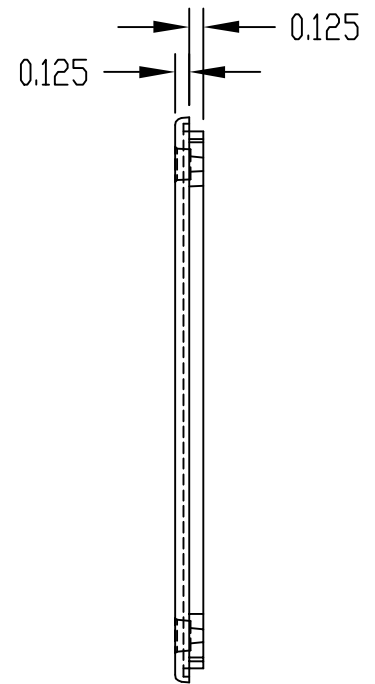
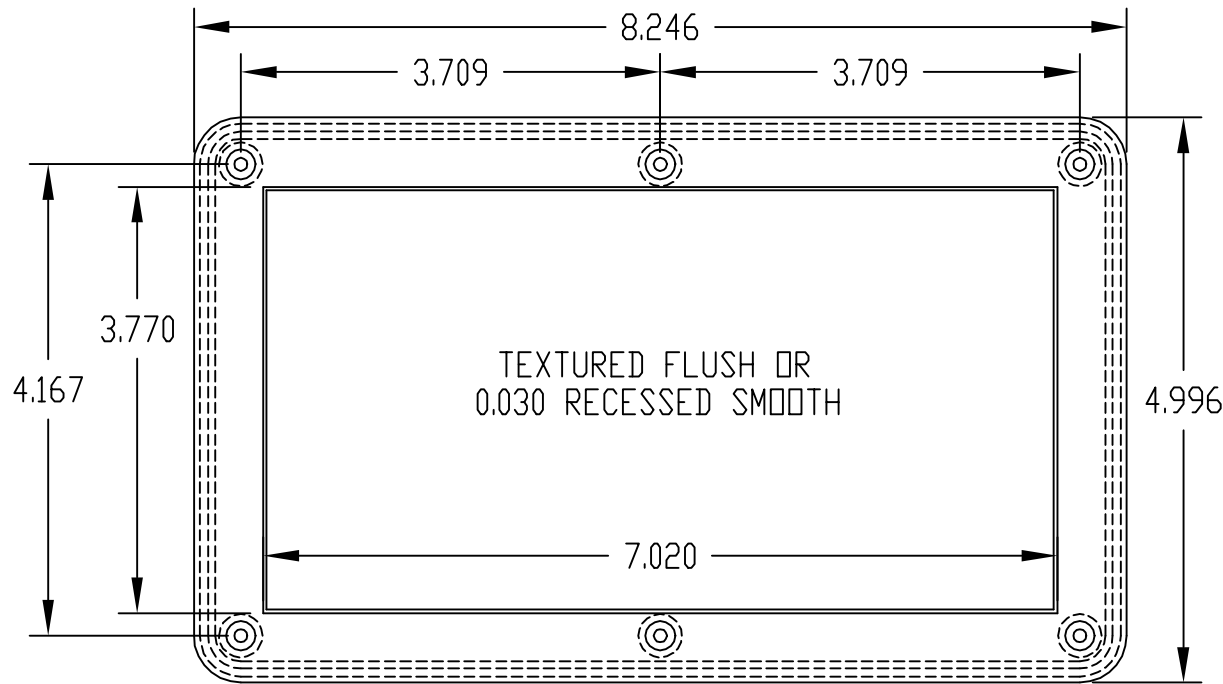
SIX (6) #4-40 x 0.500" LG. SCREWS SUPPLIED FOR ASSEMBLING COVER TO BODY

MOUNTING BOSSES USE EITHER M2.5 METRIC OR #4 STD. SHEET METAL SCREWS x 0.250" LG. (NOT SUPPLIED)

FINISH

BODY AND STANDARD COVERS ARE BLACK TEXTURED

RECESSED (CUR-) AND CLEAR COVERS (-C) ARE SMOOTH FINISH



PART No.	Description
CU-3285	TEXTURED FLUSH COVER LESS RECESS AND BODY WITHOUT MOUNTING FLANGE
CU-3285-MB	TEXTURED FLUSH COVER LESS RECESS AND BODY WITH MOUNTING FLANGE.
CUR-3285	COVER WITH SMOOTH 0.030 RECESS AND BODY WITHOUT MOUNTING FLANGE.
CUR-3285-MB	COVER WITH SMOOTH 0.030 RECESS AND BODY WITH MOUNTING FLANGE